

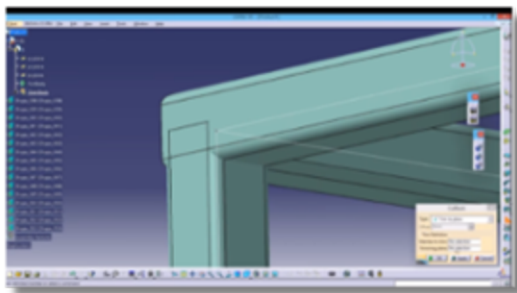
CATIA V5 PLM EXPRESS - Layout Engineer Portfolio

Layout Engineer

Leverage integrated 2D/3D technologies to achieve easy and rapid iterations-drive toward conceptual design while concurrently activating detailed design. Generate templates to capture optimized design methodologies and enable re-use, design agility, and, ultimately, productivity.

Structure & Steel Work Layout – SSE

Structure and Steel Work Design option is the ideal tool for quickly designing steel assemblies for the tooling, aerospace, shipbuilding and plant design industries.

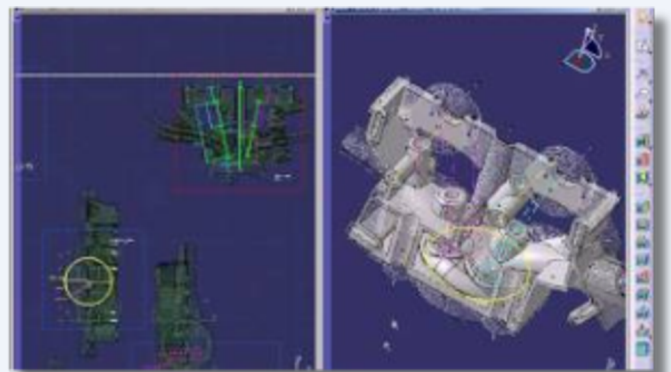


Module Breakdown:

- **SRT** - Systems Routing 1
- **SR1** - Structure Design 1
- **PLO** - Plant Layout 1
- **EQ2** - Equipment Arrangement 2
- **HGR** - Hanger Design 2

3D Layout & Annotations – LOE

3D Layout & Annotations is the answer to customers looking for a smooth transition from 2D to 3D and fosters innovation with a unique 2D/3D approach for conceptual design. Reduces reliance on 2D drawings by capturing all drawing information. 3D tolerance specifications and annotations inside the 3D model and increases the pervasive usage of 3D as the master representation inside and throughout the enterprise.



Module Breakdown:

- **LO1** - 2D Layout for 3D Design 1
- **FT1** - 3D Functional Tolerancing & Annotation

Electrical Cable Layout – ECX

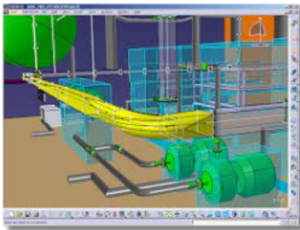
Electrical Cable Layout creates and manages logical designs of electrical systems using industry standard conventions, terminology and practices. Designers easily create space reservation for electrical systems which enables reviews at early stage of design, in parallel of 2D electrical diagrams definition. Fully integrated, the user directly drives the creation of the 3D detailed design of cables and raceways from 2D diagrams.

This intelligent diagram and design capabilities enable the user to create and validate their designs.

Electrical cables can be accessed for:

1. 3D specification
2. Schematic-driven design

Whilst dynamically maintaining consistency between the schematic and 3D design.

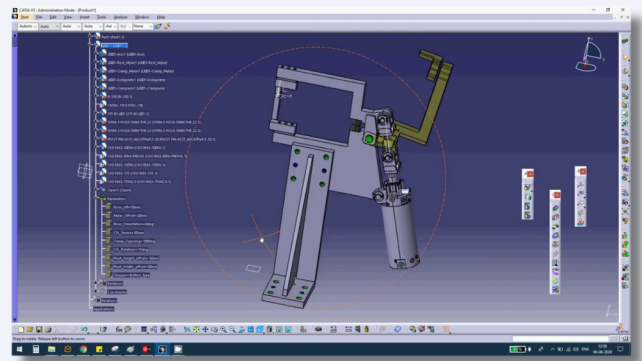


Module Breakdown:

- **HVA** - HVAC Design 2
- **HV2** - HVAC Diagrams 2
- **SDI** - Systems Diagrams 2

Knowledge Templates – PKE

Structure Concept to Design streamlines processes ranging from functional definition to manufacturing preparation. This provides a unique answer to physical design challenges in Shipbuilding and in the Architecture & Construction industries.

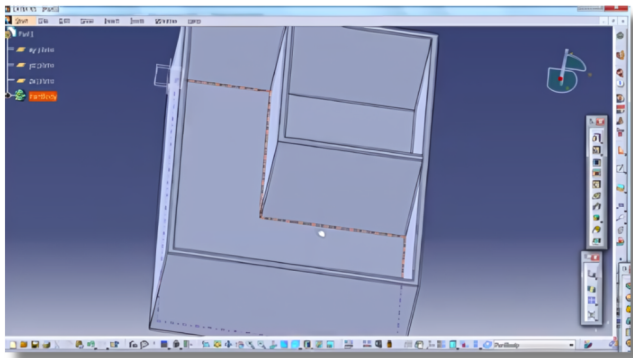


Module Breakdown:

- **SFD** - Structure Functional Design 2
- **SDD** - Ship Structure Detail Design 2
- **SR1** - Structure Design 1

Accommodation Layout - ACX

Accommodation Layout improves conceptual design by delivering powerful capabilities to define structural design: space reservation of electrical, fluidic systems, plate thickness, stiffeners ... and compartments and accesses.

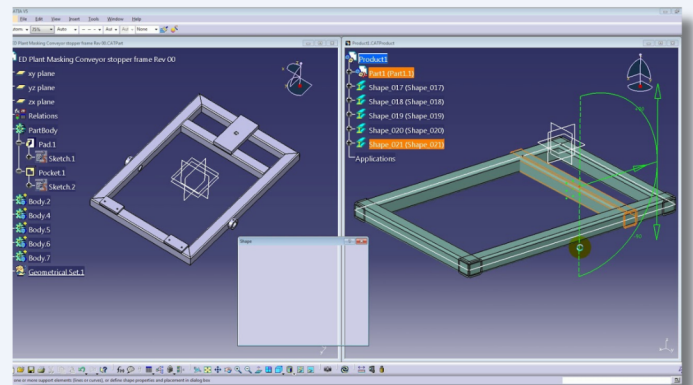


Module Breakdown:

- **HVA** - HVAC Design 2
- **HV2** - HVAC Diagrams 2
- **SDI** - Systems Diagrams 2

Structure Concept to Design - SDX

CATIA – **Structure Concept to Design** streamlines processes ranging from functional definition to manufacturing preparation. This offering provides a unique answer to physical design challenges in Shipbuilding and in the Architecture & Construction industries.



Module Breakdown:

- Structure Functional Design 2
- Ship Structure Detail Design 2
- Structure Design 1